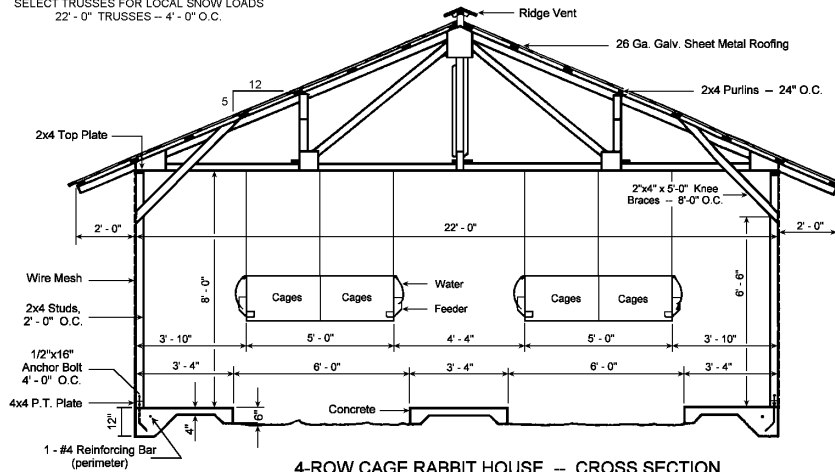


FOUR-ROW CAGED RABBIT HOUSE -- FLOOR PLAN

SELECT TRUSSES FOR LOCAL SNOW LOADS
22' - 0" TRUSSES -- 4' - 0" O.C.

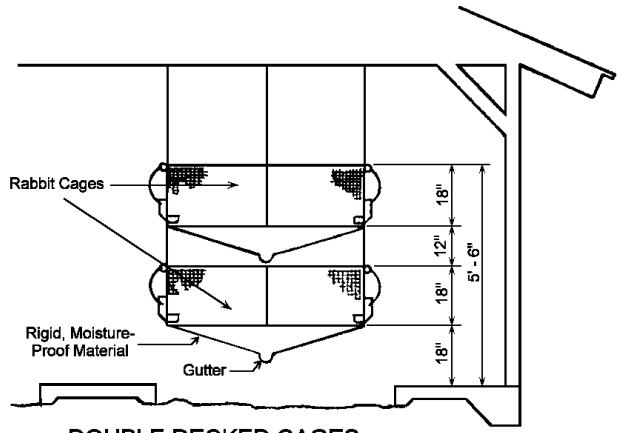


4-ROW CAGE RABBIT HOUSE -- CROSS SECTION

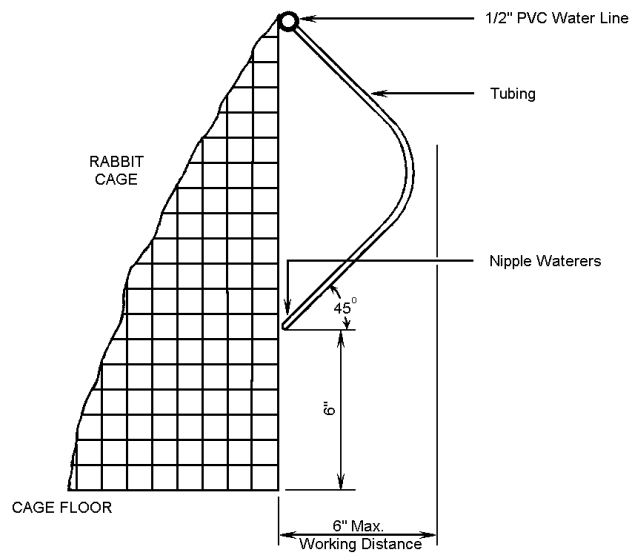
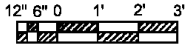
Four-Row Caged Rabbit House Plan

Plan 6360-2

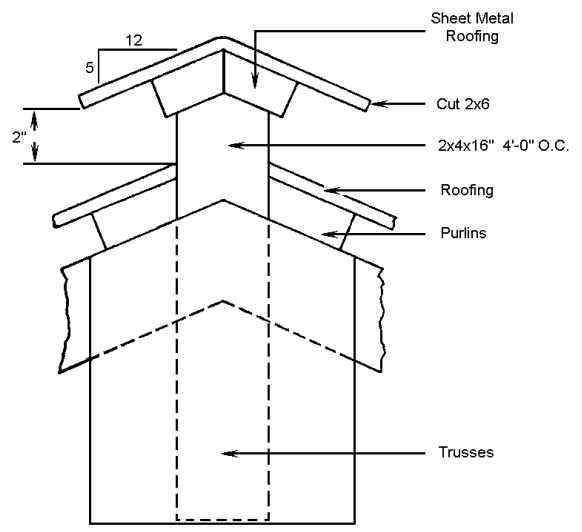
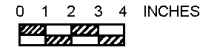
Page 1 of 2



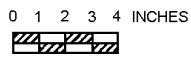
DOUBLE DECKED CAGES



WATER LINE TO CAGES - DETAILS



ROOF VENT DETAILS



**Four-Row Caged
Rabbit House Plan
Plan 6360-2
Page 2 of 2**



Four-Row Caged Rabbit House Plans

These plans are for a rabbitry facility that can house four rows of cages in a single level. An equivalent of 64 - 30"x30" or 52 - 36"x30" cages for does and young plus 2 - 24"x30" cages for bucks can be installed. A combination of cage sizes are shown in the plans but the number and size of cages can be altered by the owner.

Stacking of cages vertically is an excellent way to make efficient use of building space. Two or three levels can be installed by attaching them to free-standing supports or hanging cables. If the cages are to be suspended from the ceiling, extra strength must be designed in the truss assembly to accommodate the extra weight of cages, rabbits and feed. The length of this house can be extended to provide additional housing capacity.

Copies of this plan can also be obtained by contacting your Mississippi County Extension Office and requesting House Plan #6360, 2 Multi-Row Caged Rabbit Shed.

Dr. Tom W. Smith, Emeritus Professor of Poultry Science, Mississippi State University

May, 2000.